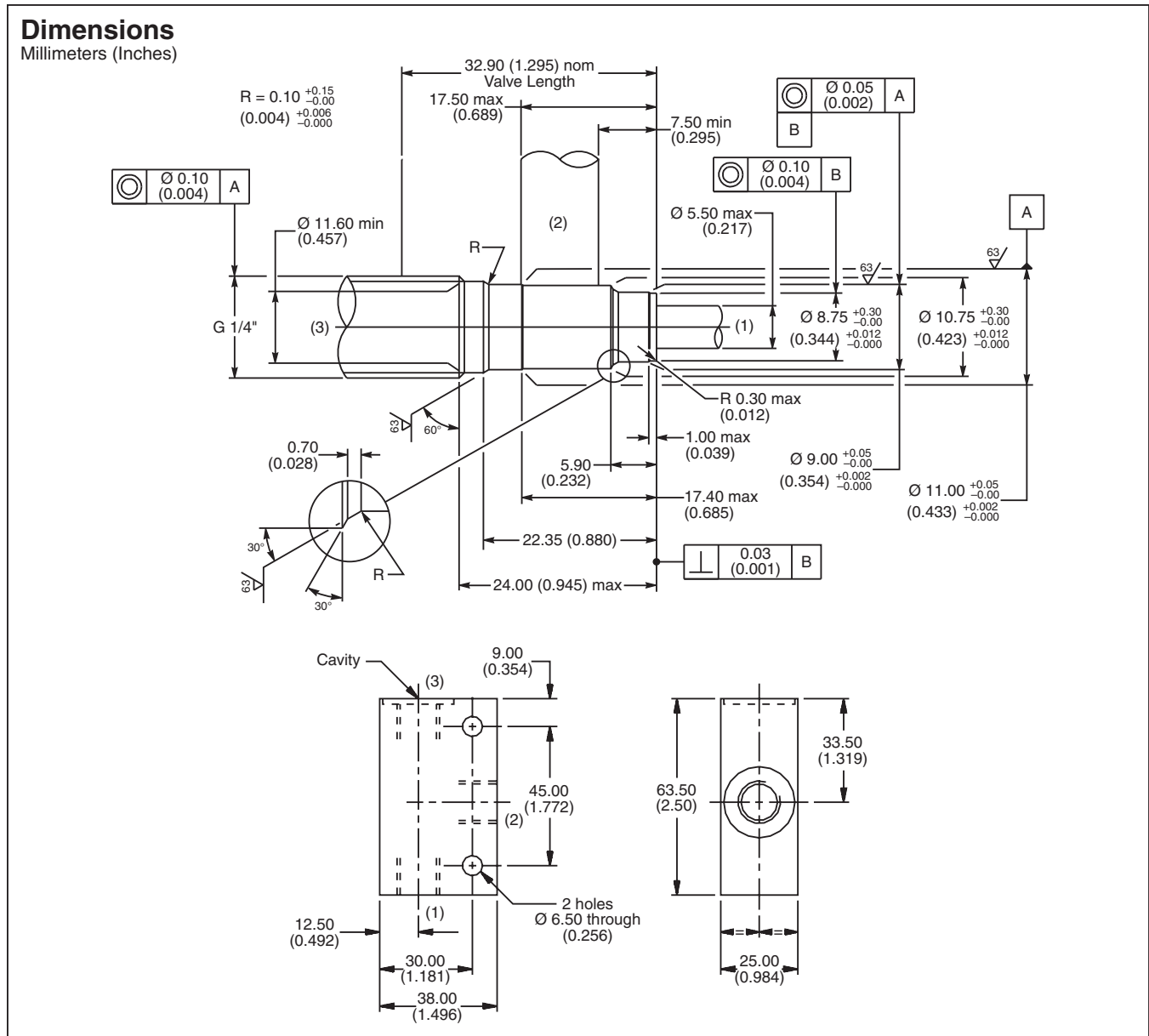


For additional information see Technical Tips on pages BC1-BC6.



Ordering Information

LB10		
Line Body	Port Size	Body Material

Code	Port Size
320	1/4 SAE

Code	Body Material
A	Aluminum
S	Steel

Cavity Tooling For 3Z	
Pilot Drill \varnothing	8.50 (0.335)
Step Drill	8DS31355
Reamer (Alum)	8RM31055A
Reamer (Steel)	8RM31055S
Counterbore	—
Tap	8TP31219